

Terminal Block, Plug

STB2040H-3.5-XX

Description

The STB2040H-3.5-xx is a Terminal Block Vertical Plug Header with a 3.5 mm pitch. The connector is available from 2 up to 24 poles.



Typical applications

- Wire to Board
- Board to Wire



Features

Mechanical Properties	Description
Connector Type	Terminal Plug
Orientation	Vertical
Dimensions	(Poles *3.5 + 0.8) x 19.1 x 10.4 mm ± 0.2
Operating Temperature Range	-40°C~+105°C
Torque	0.2 Nm (1.7 Lb.in)
Cable Stripping Length	6 - 7mm
Pitch	3.5 mm
Poles	2-24 Poles
Insulator body	PA66, UL94V-0
Contact	Copper Alloy, Ni plated
Cage	Copper Alloy, Ni plated
Terminal Screw	M2.0, Steel Ni plated

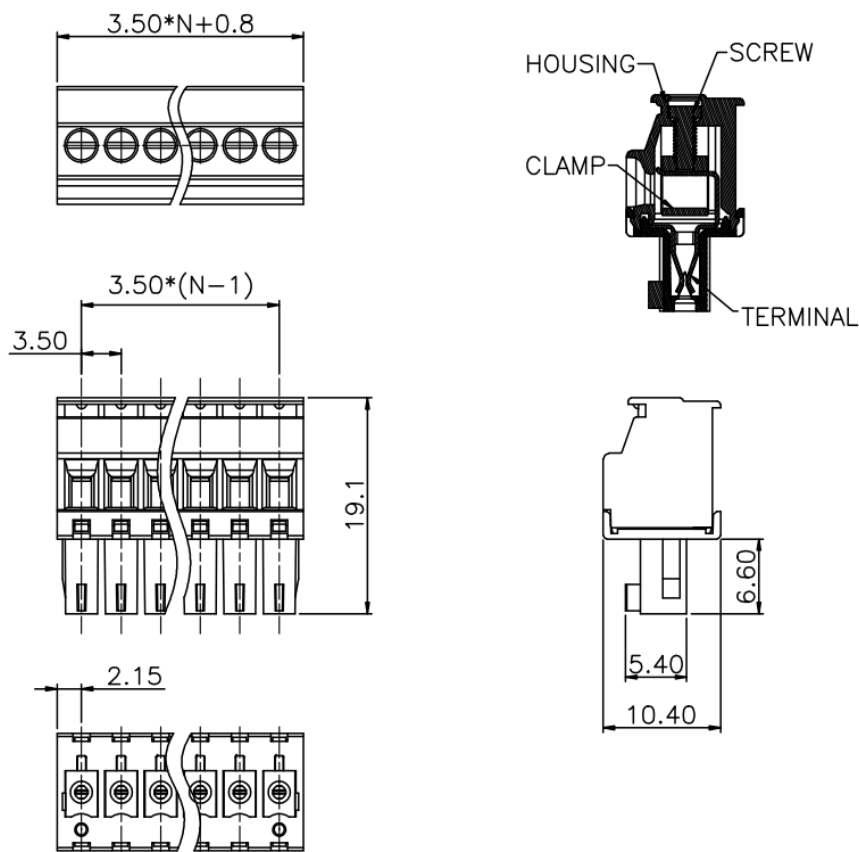
Terminal Block, Plug

STB2040H-3.5-XX

Electrical Properties	Description	
Standard	UL	IEC
Rated Voltage	300V	250V
Rated Current	8A	7A
Contact Resistance	20mΩ (Max.)	
Withstanding Voltage	AC 1600V / 1Min.	
Wire Range	16 – 28 AWG, 0.5 - 1.5mm ²	

Dimensions

*unit: mm, N= number of poles



Terminal Block, Plug

STB2040H-3.5-XX

Pole	2	3	4	5	6	7	8	9	10	11	12	13
Length	7,8	11,3	14,8	18,3	21,8	25,3	28,8	32,4	35,8	39,3	42,8	46,3
Pitch	3,5	7	10,5	14	17,5	21	24,5	28	31,5	35	38,5	42

Pole	14	15	16	17	18	19	20	21	22	23	24
Length	49,8	53,3	56,8	60,3	63,8	67,3	70,8	74,3	77,8	81,3	84,8
Pitch	45,5	49	52,5	56	59,5	63	66,5	70	73,5	77	80,5

Part number

STB2040X-XXX-XX

STB2040	Style of connector
H	Horizontal
3.5	Pitch
XX	Poles 2,3,4,5,6,7,8, 9,10, 11,12, 13,14,15,16,17,18,19,20, 21,22,23,24

Ordering information

Ordering can be done via www.summit-electronics.com or via info@summit-electronics.com. Please contact us for more information. Customisation of the product is available on request.

Technical support

For all product questions please contact us via info@summit-electronics.com

Document revision

Rev	Date	changes
V01.00	06-04-2023	First issue of document